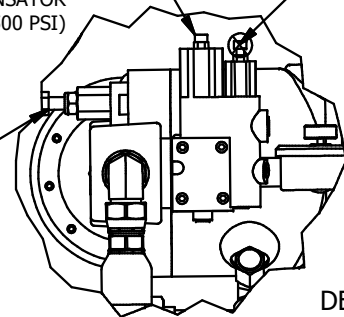


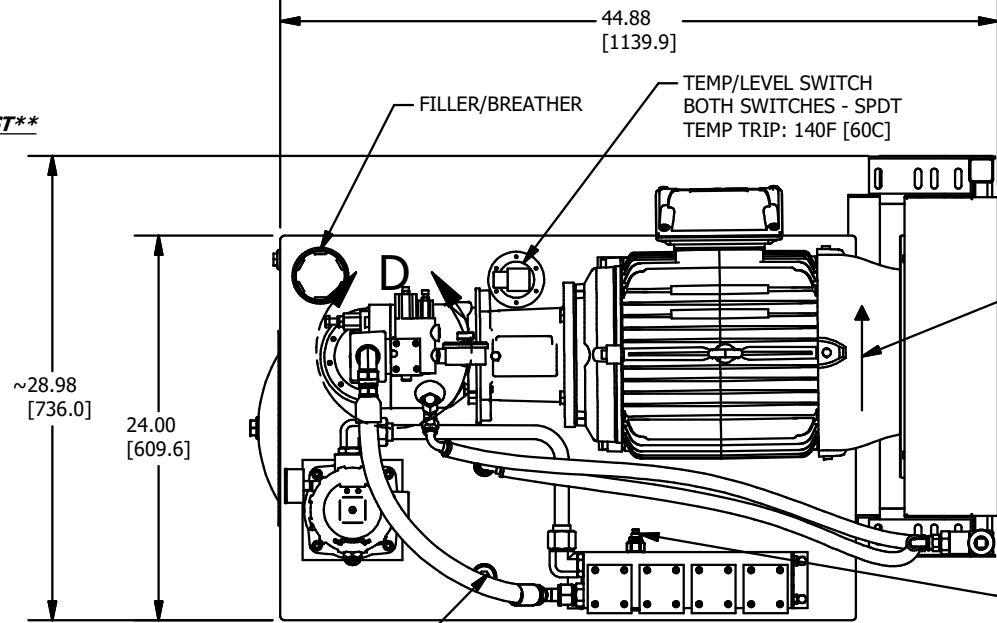
4 3 2 1

IMPORTANT
 PUMP COMPENSATOR ADJUSTMENT SCREW
 UTILIZE THIS ADJUSTMENT TO SET THE MAXIMUM
 SYSTEM OPERATING PRESSURE
 ADJ. RANGE: 400-2300 PSI [27.6-159 BAR]
DO NOT EXCEED 2300 PSI
 (**UNIT SHIPPED WITH COMPENSATOR
 SET @ 1500 PSI)



DETAIL D
 SCALE 1 / 6

DIFFERENTIAL ADJ.
 -FACTORY SET-
****DO NOT ADJUST****



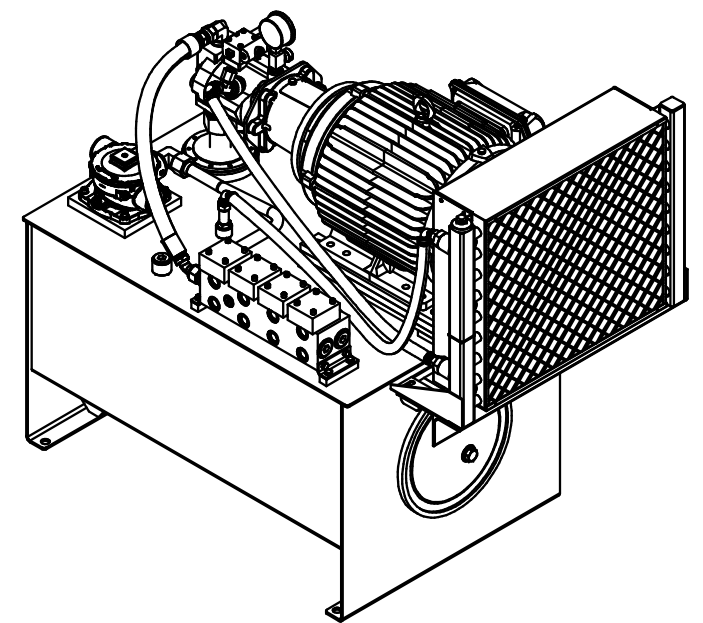
~28.98 [736.0]
 24.00 [609.6]

44.88 [1139.9]

FILLER/BREATHER

TEMP/LEVEL SWITCH
 BOTH SWITCHES - SPDT
 TEMP TRIP: 140F [60C]

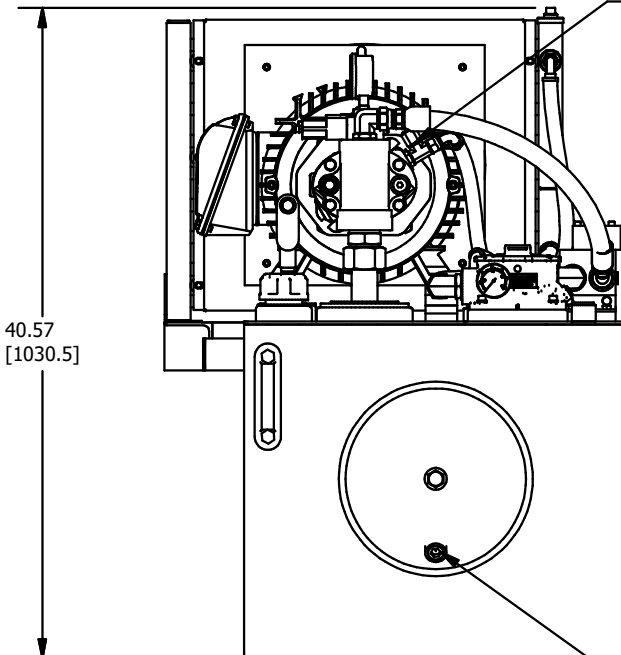
SHAFT ROTATION



SAFETY RELIEF FACTORY SET @ 2600 PSI
****DO NOT ADJUST****
 THIS VALVE **MUST** REMAIN AT LEAST 250 PSI
 ABOVE THE **MAXIMUM SYSTEM OPERATING PRESSURE**
 OF 2300 PSI. FAILURE TO COMPLY WITH THIS REQUIREMENT
 WILL RESULT IN SEVERE SYSTEM OVERHEATING AND POSSIBLE
 SYSTEM DAMAGE AND/OR A FIRE HAZARD.

SPARE RETURN
 W/ DOWN-PIPE
 (SAE-12 - PLUGGED)

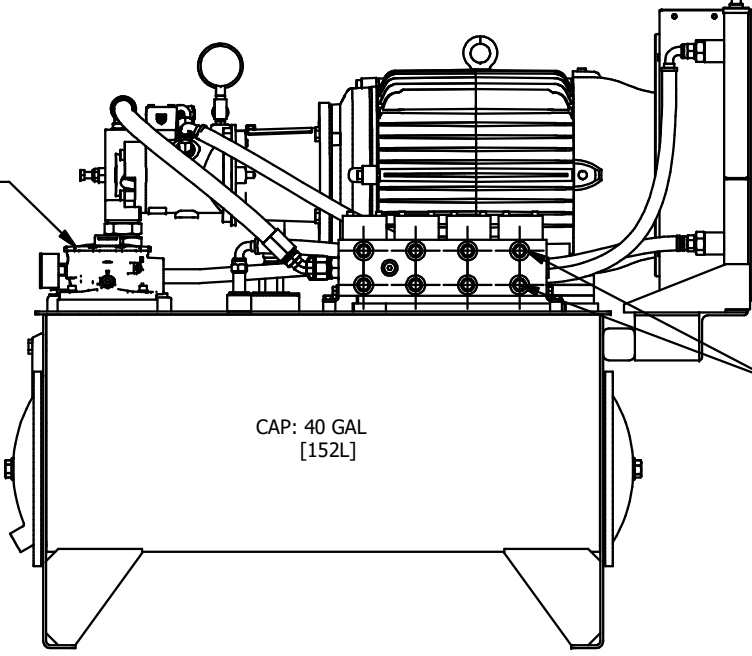
PRIOR TO INITIAL START-UP
 UTILIZE THIS CAPPED TEE PORT
 TO FILL PUMP CASE WITH OIL
 (FAILURE TO FILL CASE BEFORE
 INITIAL START-UP WILL RESULT
 IN **SEVERE** PUMP DAMAGE)



40.57 [1030.5]

RETURN FILTER
 REPLACEMENT ELEMENT:
 PARKER# 946855Q

AIR FLOW
 (MIN 12.00 [304.8] CLEARANCE
 REQUIRED FOR PROPER COOLING)



CAP: 40 GAL
 [152L]

WORK PORT CONNECTIONS (SAE-8 - 8 PLCS)
 SHIPPED WITH COVER PLATES ON ALL FOUR
 VALVE STATIONS. MOUNT REQUIRED VALVING
 TO D05/NG10 PATTERN, UTILIZING THE PROPER
 LENGTH 1/4"-20 UNC SOCKET HEAD CAP SCREW
 MOUNTING BOLTS. UNUSED VALVE STATIONS
 CAN REMAIN CAPPED/PLUGGED.

24.00 [609.6]
 RESERVOIR DRAIN: 3/4" NPT

RECOMMENDED MINIMUM ISO FLUID CLEANLINESS LEVEL: 19/16/13

RECOMMENDED FLUID TYPE: HIGH QUALITY PETROLEUM BASE HYDRAULIC FLUID,
 WITH A GOOD ANTI-WEAR ADDITIVE PACKAGE (ISO 46 OR ISO 68)

ESTIMATED DRY WEIGHT: 725 LB [328.9 KG]

- EXAMPLE FLUIDS:
- Parker DuraClean™
 - MOBIL DTE 25 OR DTE 26
 - TEXACO RANDO HD46 OR HD68
 - SHELL TELLUS 46 OR 68

REV	DATE	CHANGE	BY
REVISION HISTORY			

TOLERANCES UNLESS OTHERWISE SPECIFIED:
 X/X ±1/32
 .X ±.030
 .XX ±.015
 .XXX ±.005
 ∠ ±1°
 ✓ 125
 ✓ ±.030
 ✓ ±.010
 // ±.010
 ○ ±.002
 ○ ±.005

THIS DRAWING IS THE PROPERTY OF AND
 CONTAINS CONFIDENTIAL INFORMATION
 PROPRIETARY TO HYSPECO INC. IT IS
 TO BE USED ONLY FOR THE PURPOSE
 FOR WHICH IT WAS PROVIDED. IT IS
 NOT TO BE COPIED OR DISCLOSED TO
 OTHERS AND, UPON REQUEST, RETURNED
 TO HYSPECO INC.

HYSPECO PHONE: (800) 234-1041

HYPACK TPD FOUR STA. HPU (MODEL G)
 ASSY#: B20G0004

DATE 2/15/2024	SCALE 1/12	REVISION
DRAWN BY GWM	SHEET 1 OF 1	B
CHECKED BY	DRAWING No. B20G0004-L	
APPROVED BY		